



Bracket Take-off Sheet.

Machine Make:

Bracket Model:

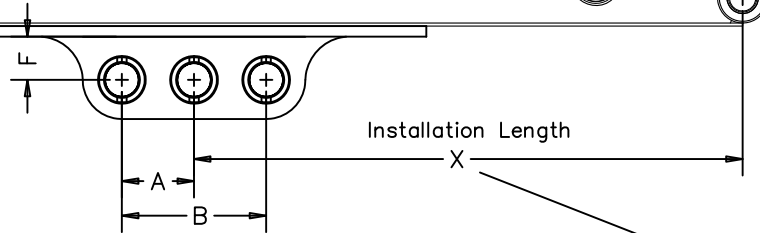
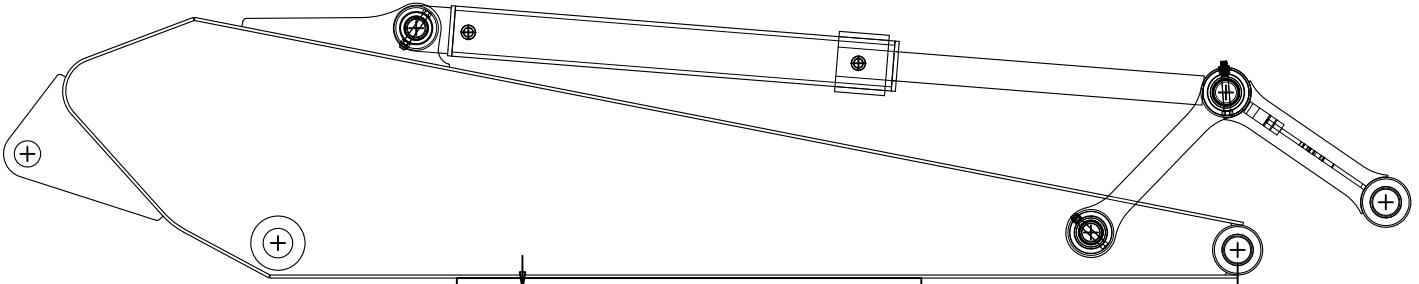
Bracket Make:

Customer Name:

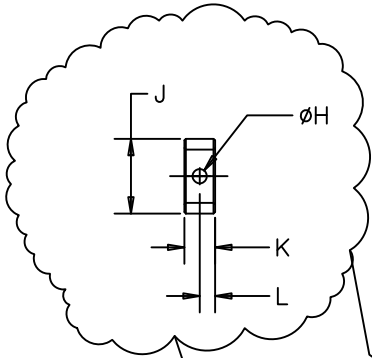
Completed by:

Date:

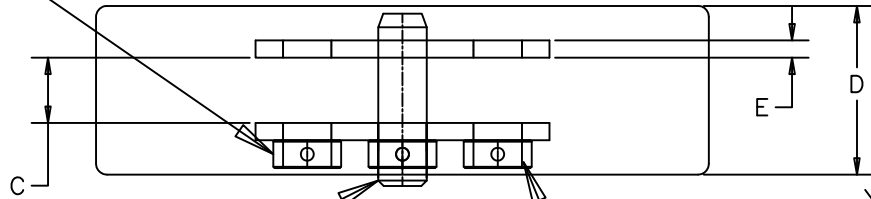
Comments/Special Instructions:



X	
A	
B	
F	



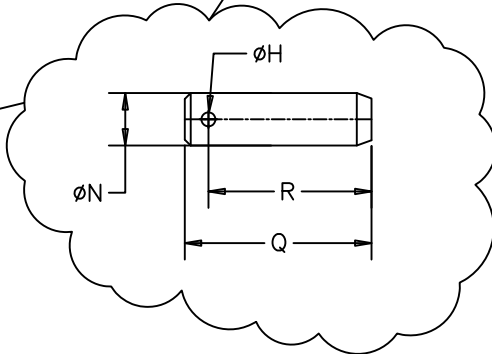
J	
ØH	
K	
L	



C	
D	
E	
Bore	

Bore (TYP)

ØN	
ØH	
R	
Q	



Nye Manufacturing Ltd.

3585 Mavis Rd. Mississauga, ON Canada. L5C 1T7

Tel: 905 897 2311 Fax: 905 897 2312 nyemanufacturing.com