



# Bracket Take-off Sheet.

Machine Make:

Bracket Model:

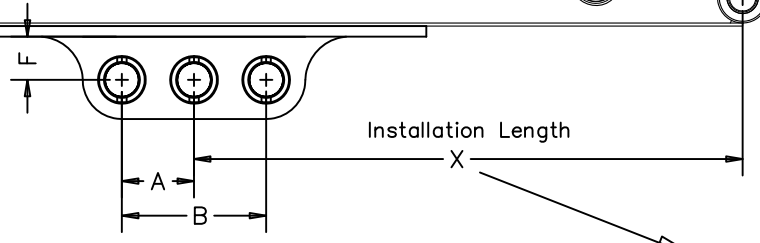
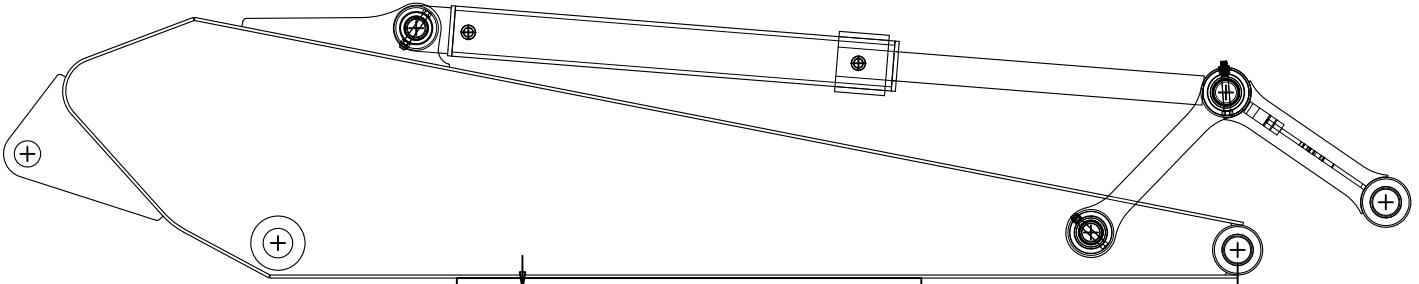
Bracket Make:

Customer Name:

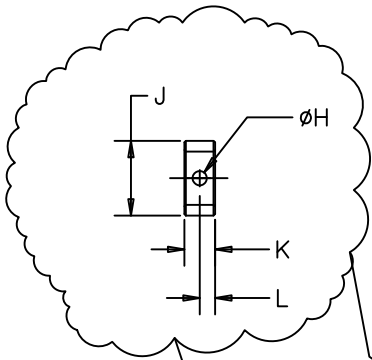
Completed by:

Date:

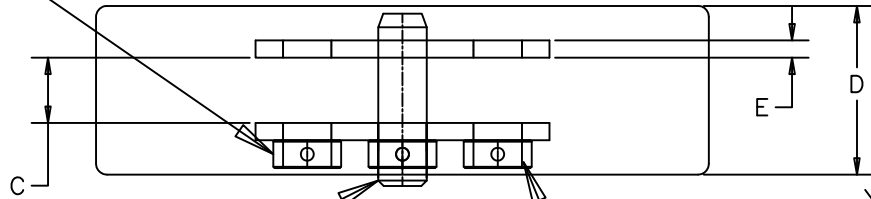
Comments/Special Instructions:



|   |  |
|---|--|
| X |  |
| A |  |
| B |  |
| F |  |



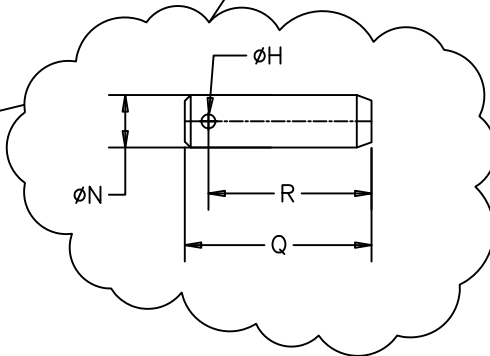
|    |  |
|----|--|
| J  |  |
| ØH |  |
| K  |  |
| L  |  |



|      |  |
|------|--|
| C    |  |
| D    |  |
| E    |  |
| Bore |  |

Bore (TYP)

|    |  |
|----|--|
| ØN |  |
| ØH |  |
| R  |  |
| Q  |  |



**Nye Manufacturing Ltd.**

3585 Mavis Rd. Mississauga, ON Canada. L5C 1T7

Tel: 905 897 2311 Fax: 905 897 2312 [nyemanufacturing.com](http://nyemanufacturing.com)