



Bucket Take-off Sheet.

Machine Make:

Machine Model:

Bucket Make:

Bucket Width:

Bucket Capacity:

Serial Number:

Customer Name:

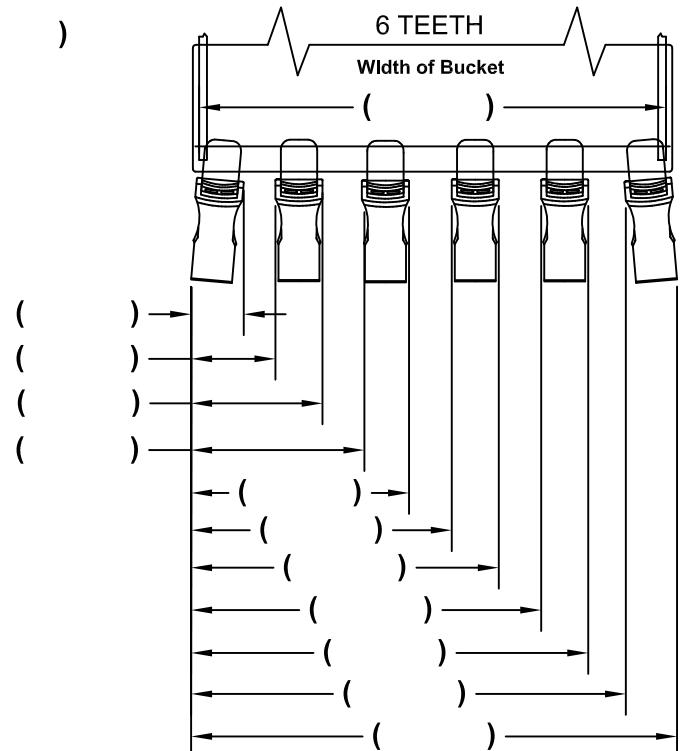
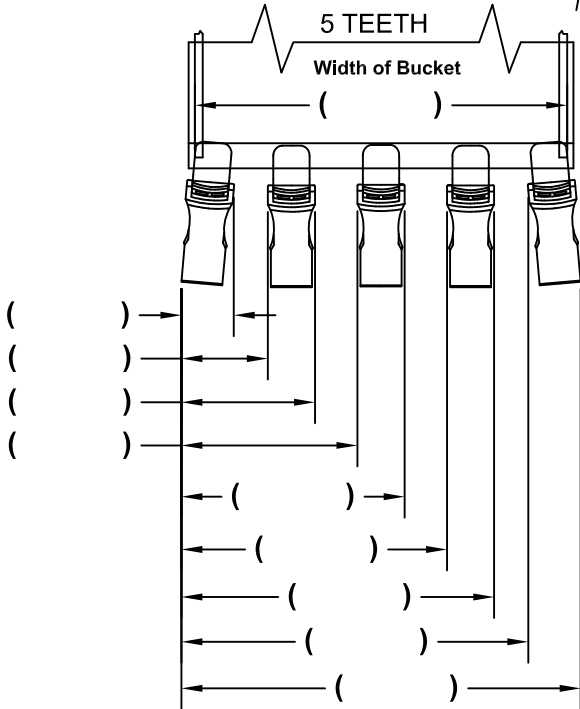
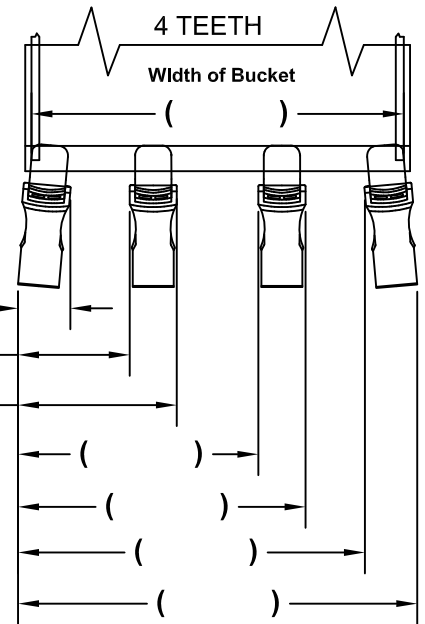
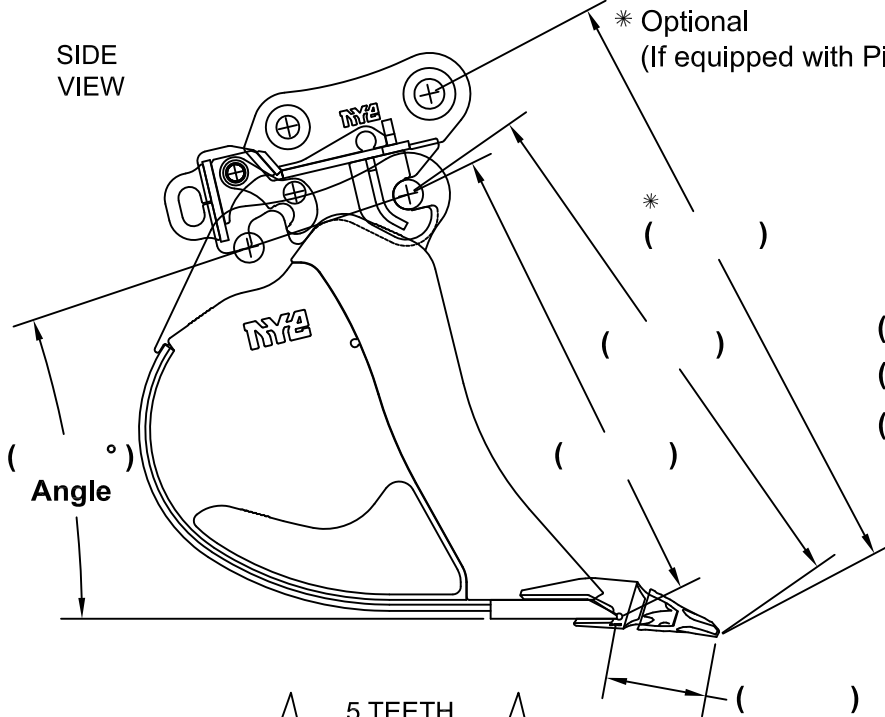
Completed by:

Date:

Bucket Details.

Please fill in all brackets clearly. Make allowances for worn teeth.

SIDE VIEW



Nye Manufacturing Ltd.

3585 Mavis Rd. Mississauga, ON Canada. L5C 1T7

Tel: 905 897 2311 Fax: 905 897 2312 nyemanufacturing.com