

### Features & Benefits

- Extra strong construction, designed for demolition work.
- Weld-on hardened steel tips for long life.
- Optional shear plates for extra wood waste and garbage crushing ability\*.
- No extra valves or hoses required.
- Quick coupler models available.
- Optional Hydraulic Brace\*.

### Marine



### Demolition



### Proven Tough



### DGX Series Typical Specifications

Carrier	Model	Jaw Config.	Weight kg [lb]
16 - 24 t	DGX207	3/4	1,251 [2,758]
22 - 28 t	DGX257	3/4	1,567 [3,454]
26 - 38 t	DGX357	3/4	2,158 [4,758]
35 - 50 t	DGX457	3/4	3,222 [7,103]
48 - 60 t	DGX607	3/4	3,908 [8,616]
59 - 90 t	DGX857	3/4	5,050 [11,134]

\* - Optional (parts shown in light grey)

[nye.ca/dgx](http://nye.ca/dgx)



All Nye products are warranted to be free of defects in materials and workmanship for a period of 2 years or 2,000 hours. Specifications subject to change.

[nye.ca/terms](http://nye.ca/terms)

### Nye DGX Demolition Grapple:

These premium quality grapples are designed for the most severe demolition, rock and waste handling applications.

Fully boxed design, made from continuous T1 structural plates that extend from the tips all the way to the bridge beams.

The tines are exposed through the back skin to provide extra wear and impact resistance.

The continuous tine design makes Nye grapples the strongest in the world, our superior performance under the worst conditions proves this claim.

Nye grapples are simple to install, pin on in place of your normal bucket, back brace welds to underside of dipper stick.

For more information:

Call 905 897 2311 or visit [nye.ca](http://nye.ca).

**Nye Manufacturing Ltd.**  
3585 Mavis Rd.  
Mississauga, ON L5C 1T7  
Canada  
+1 905 897 2311  
[sales@nye.ca](mailto:sales@nye.ca) [nye.ca](http://nye.ca)



*Nye is a proud family owned Canadian business; going strong for over 60 years*

**Put our expertise to work for you!**

Scan for videos →

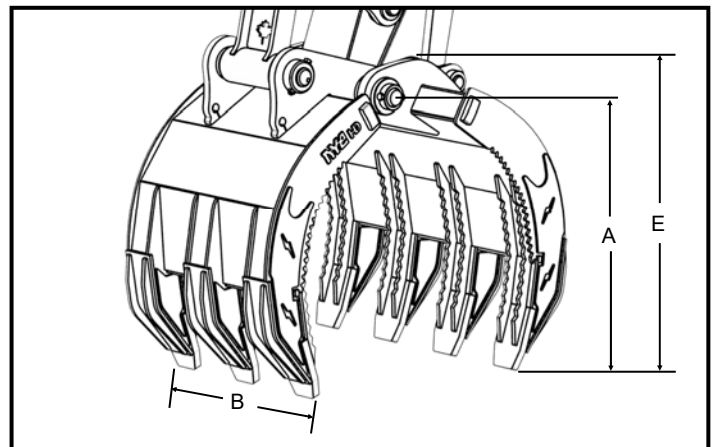
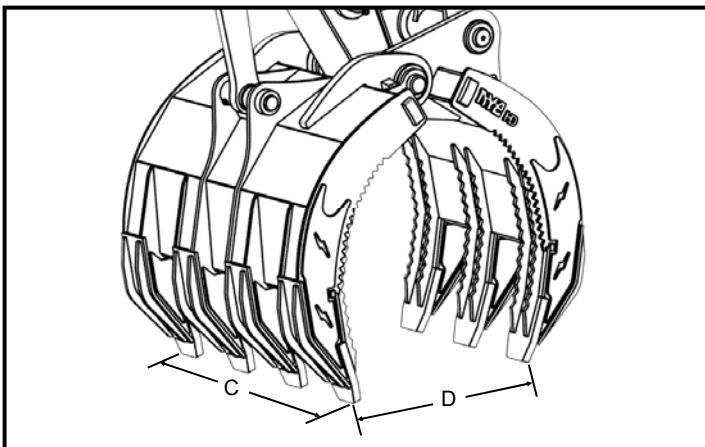


CARRIER [x1000lbs]	MODEL	WEIGHT	JAW CONFIG.	THROAT DEPTH (A)	MOVING JAW WIDTH (B)	FIXED JAW WIDTH (C)	MAX OPENING (D)	OVERALL HEIGHT (E)
09 - 14 t [20 - 31]	DGX125	658 [1,450]	2/3	1,133 [45]	430 [17]	850 [33]	1,778 [70]	1,197 [47]
	DGX127	771 [1,699]	3/4		783 [31]	1,102 [43]		
13 - 17 t [29 - 37]	DGX155	835 [1,843]	2/3	1,308 [51]	580 [23]	980 [39]	2,032 [80]	1,427 [56]
	DGX157	1,045 [2,303]	3/4		856 [34]	1,205 [47]		
	DGX159	1,195 [2,635]	4/5		992 [39]	1,390 [55]		
16 - 24 t [35 - 53]	DGX205	1,046 [2,307]	2/3	1,399 [55]	650 [26]	1,100 [43]	2,240 [88]	1,527 [60]
	DGX207	1,251 [2,758]	3/4		900 [35]	1,270 [50]		
	DGX209	1,576 [3,476]	4/5		1,165 [46]	1,505 [59]		
22 - 28 t [48 - 62]	DGX255	1,333 [2,938]	2/3	1,501 [59]	714 [28]	1,218 [48]	2,346 [92]	1,638 [64]
	DGX257	1,567 [3,454]	3/4		970 [38]	1,370 [54]		
	DGX259	1,765 [3,892]	4/5		1,203 [47]	1,662 [65]		
26 - 38 t [57 - 84]	DGX355	1,716 [3,784]	2/3	1,596 [63]	746 [29]	1,268 [50]	2,588 [102]	1,742 [69]
	DGX357	2,158 [4,758]	3/4		1,124 [44]	1,588 [63]		
	DGX359	2,432 [5,361]	4/5		1,481 [59]	1,723 [68]		
35 - 50 t [77 - 110]	DGX455	2,439 [5,377]	2/3	1,800 [71]	845 [33]	1,436 [57]	2,824 [111]	1,967 [77]
	DGX457	3,222 [7,103]	3/4		1,271 [50]	1,795 [71]		
	DGX459	3,819 [8,420]	4/5		1,568 [62]	2,028 [80]		
48 - 60 t [106 - 132]	DGX605	3,083 [6,797]	2/3	1,907 [75]	914 [36]	1,552 [61]	2,861 [113]	2,091 [82]
	DGX607	3,908 [8,616]	3/4		1,387 [55]	1,959 [77]		
59 - 90 t [130 - 198]	DGX855	3,974 [8,761]	2/3	2,093 [82]	982 [39]	1,667 [66]	2,942 [116]	2,315 [91]
	DGX857	5,050 [11,134]	3/4		1,492 [59]	2,107 [83]		
89 - 125 t [196 - 241]	DGX1255	6,167 [13,595]	2/3	2,444 [96]	1,038 [41]	1,771 [70]	3,453 [136]	2,709 [107]
	DGX1257	6,481 [14,289]	3/4		1,631 [64]	2,357 [93]		
150 - 200 t [330 - 440]	DGX2005	11,807 [26,031]	2/3	2,709 [107]	1,208 [48]	2,104 [83]	3,718 [146]	2,959 [116]
	DGX2007	12,387 [27,308]	3/4		1,700 [67]	2,400 [94]		

Specifications subject to change

DGX457AK Model Shown (with optional abrasion kit)

Units of Measure: kg [lb] and mm [in]



**Nye Manufacturing Ltd.**  
3585 Mavis Rd.  
Mississauga, ON L5C 1T7  
Canada  
+1 905 897 2311  
sales@nye.ca nye.ca



*Nye is a proud family owned Canadian business; going strong for over 60 years*

**Put our expertise to work for you!**

Scan for videos →

