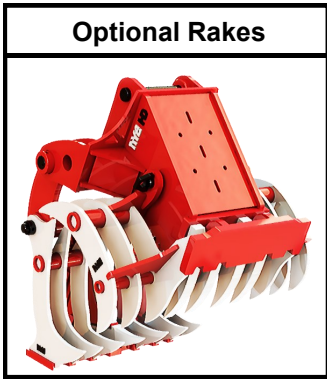


- ### Features & Benefits
- Replaceable teeth.
 - Heavy duty hydraulic brace articulates cutting blade and fang for maximum versatility.
 - Power action geometry yields unsurpassed splitting force, both radially and axially.
 - Wide Opening allows a clean purchase from any angle.
 - Pin grabber and quick coupler models available.



SHX Series Typical Specifications

Typical Carrier*	Model	Tip Radius mm [in]	Weight kg [lb]
13 - 17 t	SHX150	913 [36]	850 [1,900]
16 - 24 t	SHX200	1014 [40]	1,075 [2,400]
22 - 28 t	SHX250	1,117 [44]	1,525 [3,400]
25 - 38 t	SHX350	1,228 [48]	1,825 [4,000]
35 - 50 t	SHX450	1,353 [53]	2,550 [5,600]

* Consult dealer for appropriate sizing for your machine.

nye.ca/shx



nye.ca/terms

All Nye products are warranted to be free of defects in materials and workmanship for a period of 2 years or 2,000 hours. Specifications subject to change.

The New SHX Stump Harvester:

Nye's Ultra Heavy Duty Stump Harvesters are designed to split any stump you can fit in its jaws. Excellent for removing dirt and rocks from stumps prior to grinding. Incorporates massive grubbing tines designed for in place harvesting. Rip, Pry, Shake, Split and Load with one tool. Engineered with the latest CAD software and custom fabricated with the aid of CNC machinery. Nye Harvesters are constructed from quenched and tempered alloy steels with hardened alloy pins and bushings throughout. Main cutting blade is made from super strong AR500 alloy steel, positioned on the operators side for superior visibility and control. Easily sharpened and maintained for both extreme service and long life. Nye Ultra Heavy Duty Stump Harvesters are easy to install, safe and silent to operate and available in Quick Coupler and Pin Grabber compatible versions. Optional Pin-On Grapple / Rake Attachment helps when handling large volumes of slash. For more information call us at 905 897 2311 or click: nye.ca.

Nye Manufacturing Ltd.
3585 Mavis Rd.
Mississauga, ON L5C 1T7
Canada
+1 905 897 2311
sales@nye.ca nye.ca



Nye is a proud family owned Canadian business; going strong for over 70 years

Put our expertise to work for you!



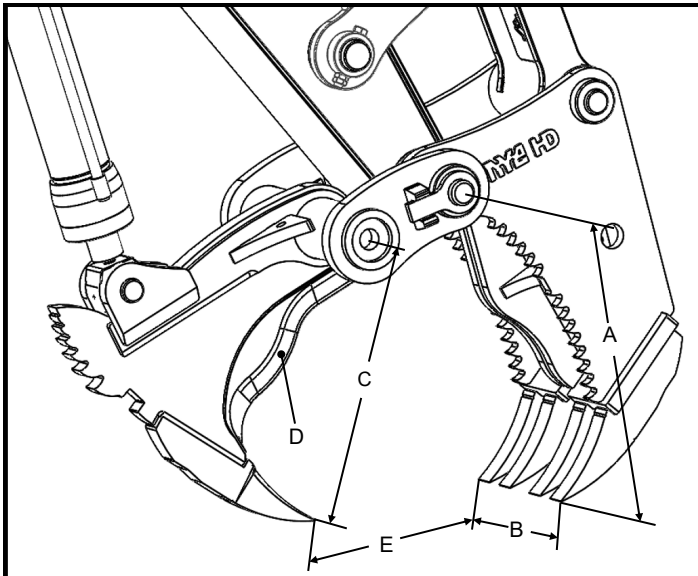
CARRIER [x1000lbs]	MODEL [‡]	TEETH*	WEIGHT	TIP RADIUS (A)	WIDTH (B)	LENGTH (C)	BLADE (D)	OPENING (E)	BSR WIDTH (F)	GSR WIDTH (G)
13 - 17 t [29 - 37]	SHX150	2 1/2" Solid AR400	850 [1,900]	913 [36]	452 [18]	791 [31]	1 1/2" AR500	1,200 [47]	912 [36]	1220 [48]
	SHX150U		1,100 [2,450]	1,038 [41]	523 [21]			1,400 [55]	878 [35]	1320 [52]
16 - 24 t [35 - 53]	SHX200	2 1/2" Solid AR400	1,075 [2,400]	1,014 [40]	484 [19]	846 [33]	1 1/2" AR500	1,450 [57]	1,022 [40]	1,370 [54]
	SHX200U		1,375 [3,000]	1,137 [45]	552 [22]			1,650 [65]	968 [38]	1,420 [56]
22 - 28 t [48 - 62]	SHX250	3" Solid AR400	1,525 [3,400]	1,117 [44]	578 [23]	939 [37]	2" AR500	1,600 [63]	1,190 [47]	1,600 [63]
	SHX250U		1,925 [4,250]	1,261 [50]	636 [25]			1,900 [75]	1,055 [42]	1,650 [65]
26 - 38 t [57 - 84]	SHX350	3" Solid AR400	1,825 [4,000]	1,228 [48]	612 [24]	993 [39]	2" AR500	1,900 [75]	1,275 [50]	1,725 [68]
	SHX350U		2,325 [5,150]	1,368 [54]	659 [26]			2,000 [80]	1,158 [46]	1,750 [69]
35 - 50 t [77 - 110]	SHX450	3 1/2" Solid AR400	2,550 [5,600]	1,353 [53]	684 [27]	1,095 [43]	2 1/2" AR500	2,000 [80]	1,407 [55]	1,900 [75]
	SHX450U		3,350 [7,400]	1,518 [60]	747 [29]			2,300 [90]	1,358 [53]	1,940 [76]

[‡] U = QAU compatible

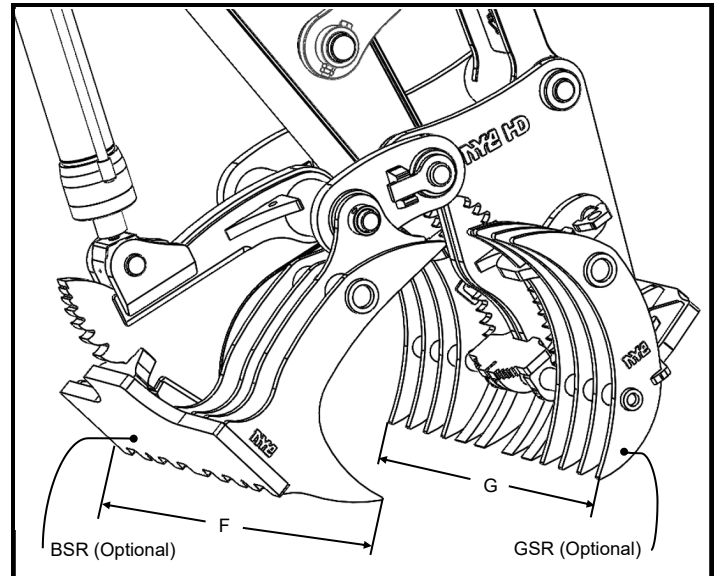
* Weld-on replacement tips available

Optional Grapple Rakes available (Grubbing and Blade Sides)

Units of Measure: kg [lb] and mm [in]



(SHX250H Model Shown)



BSR—Blade Side Rake

GSR—Grubbing Side Rake

Nye Manufacturing Ltd.
 3585 Mavis Rd.
 Mississauga, ON L5C 1T7
 Canada
 +1 905 897 2311
 sales@nye.ca nye.ca



Nye is a proud family owned Canadian business; going strong for over 70 years

Put our expertise to work for you!

Scan for videos →

