

Power Action Geometry - Optimized geometry for maximum force.

PATENTED

New for 2023

Replaceable Teeth - Welded AR500 Alloy. Extended design protects nose plates, offers superior picking and sorting.

Main Pivot - Large eye radius - virtually indestructible.

Side Plates - Solid QT100 alloy steel plate eliminates troublesome joints and welds.

Nose Plates - Extra thick AR400. Angles increased for improved dexterity, picking and reduced nose plate wear.

Torque Tubes - Extra heavy wall, eliminate twisting.

Bracket - Heavy-Duty three position bracket with oversize pins.

Brace - Solid 44W, virtually indestructible.

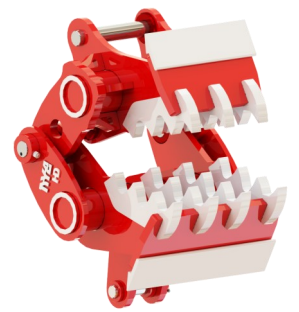
Pivot Group - Thru hardened alloy pins and heavy wall alloy bearings.

Wear Edge - Replaceable through hardened alloy blade for scraping and back-blade operations.

Features & Benefits

- Massive torque tubes absorb twisting forces.
- No extra hydraulics required, use existing bucket cylinder for power.
- Simple, safe and almost silent operation
- Replaceable wear parts.
- Optional four position ripper shank for picking, prying, lifting and flipping heavy slabs*.

High Speed Crushing



Reclaim Recyclables



Picking and Sorting



CP5 Series Typical Specifications

Carrier	Model	Tooth Config.	Weight kg [lb]
16 - 24 t	20CP57	3/4	1,088 [2,400]
22 - 28 t	25CP57	3/4	1,424 [3,140]
26 - 38 t	30CP57	3/4	1,878 [4,140]
35 - 50 t	40CP59	4/5	2,812 [6,200]
48 - 60 t	55CP59	4/5	4,350 [9,590]
59 - 90 t	70CP59	4/5	5,550 [12,235]

* - Optional Components

nye.ca/crunch

All Nye products are warranted to be free of defects in materials and workmanship for a period of 2 years or 2,000 hours. Specifications subject to change.



nye.ca/terms

Nye CP5 Concrete Pulverizer:

New for 2023, the Nye CP5 pulverizer outperforms hydraulic units in both primary and secondary crushing operations.

The Biomimetic crushing jaws are modeled after bone crushing wolves teeth, including canine fangs for grasping and puncturing material while protecting the nose-plate from wear.

Built entirely from extra thick quenched and tempered QT100 alloy plate.

The replaceable AR500 alloy teeth are welded in place, ensuring long life and simple maintenance by welding.

Nye Concrete Pulverizers are easy to install, safe, silent to operate and available in Direct-Pin, Quick-Coupler and Pin-Grabber compatible versions.

For more information: Call 905 897 2311 or visit nye.ca.

Nye Manufacturing Ltd.
3585 Mavis Rd.
Mississauga, ON L5C 1T7
Canada
+1 905 897 2311
sales@nye.ca nye.ca



Nye is a proud family owned Canadian business; going strong for over 70 years

Put our expertise to work for you!

Scan for videos →

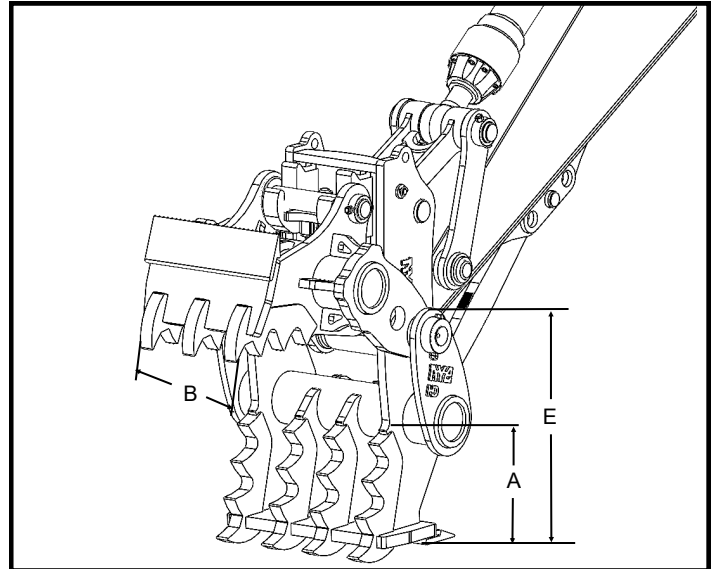
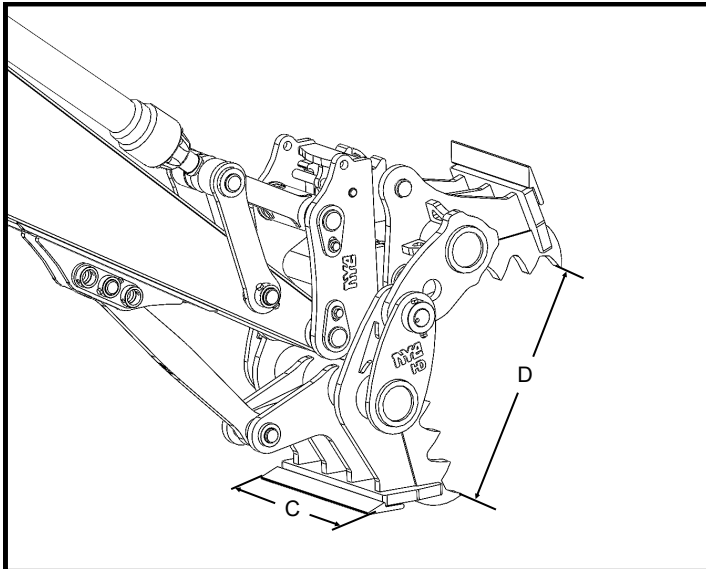


CARRIER [x1000lbs]	MODEL	JAW CONFIG.	WEIGHT	THROAT DEPTH (A)	MOVING JAW WIDTH (B)	FIXED JAW WIDTH (C)	MAX OPENING (D)	OVERALL HEIGHT (E)
09 - 14 t [20 - 31]	12CP57	3/4	885 [1,950]	406 [16]	394 [15.5]	565 [22]	533 [21]	673 [26.5]
13 - 17 t [29 - 37]	15CP57	3/4	997 [2,200]	457 [18]	443 [17.5]	647 [25.5]	660 [26]	786 [31]
16 - 24 t [35 - 53]	20CP57	3/4	1,088 [2,400]	522 [21]	508 [20]	717 [28]	792 [31]	863 [34]
	20CP59	4/5	1,270 [2,800]		508 [20]	711 [28]		
22 - 28 t [48 - 62]	25CP57	3/4	1,424 [3,140]	600 [24]	581 [23]	817 [32]	889 [35]	973 [38.5]
	25CP59	4/5	1,542 [3,400]		600 [23.5]	817 [32]		
26 - 38 t [57 - 84]	30CP57	3/4	1,878 [4,140]	681 [27]	629 [24.5]	888 [35]	1,016 [40]	1,117 [44]
	30CP59	4/5	1,950 [4,300]		640 [25]	881 [34.5]		
35 - 50 t [77 - 110]	40CP57	3/4	2,663 [5,870]	776 [31]	706 [28]	1,004 [39.5]	1,168 [46]	1,286 [50.5]
	40CP59	4/5	2,812 [6,200]		722 [28.5]	1,001 [39.5]		
48 - 60 t [106 - 132]	55CP59	4/5	4,350 [9,590]	872 [34]	743 [29]	1,079 [42.5]	1,250 [49]	1,439 [56.5]
59 - 90 t [130 - 198]	70CP59	4/5	5,550 [12,235]	939 [37]	882 [34.5]	1,189 [47]	1,321 [52]	1,514 [60]
89 - 125 t [196 - 276]	100CP59	4/5	6,680 [14,725]	1,054 [42]	916 [36]	1,251 [49]	1,473 [58]	1,704 [67]

Specifications subject to change

(40CP5U Model Shown with optional ripper)

Units of Measure: kg [lb] and mm [in]



Nye Manufacturing Ltd.
3585 Mavis Rd.
Mississauga, ON L5C 1T7
Canada
+1 905 897 2311
sales@nye.ca nye.ca



Nye is a proud family owned Canadian business; going strong for over 70 years

Put our expertise to work for you!

Scan for videos →

