

Pin Group - Heat treated alloy pins and super hard alloy bushings.

Mounting Eyes - Dedicated to your machine at the time of construction.

Side Plates - Extra thick QT100 Alloy Steel. Serrated edges for grip and control.

Anvil - QT100 hardened Alloy Steel. Virtually unbreakable.

Grubbing Teeth - Welded AR500 teeth for ripping, prying and digging.

Cutting Edge - Solid AR500 welded blade with full convex profile.

Splitter Fang - Welded AR500, optimal geometry for efficient splitting with and across the grain.

Brace/Cylinder - Extra strong three position mechanical brace OR optional high pressure cylinder.

Torque Tube - Massive steel torque tube eliminates blade twist.

Brace Mount - Oversize pin to receive high pressure cylinder or rigid brace.

Rhino Horn - Rip, Flip and Back Drag.

Main Blade - Extra thick QT100 Alloy Steel.

Features & Benefits

- Heavy duty hydraulic brace articulates cutting blade and fang for maximum versatility.
- Power action geometry yields unsurpassed splitting force, both radially and axially.
- Wide Opening allows a clean purchase from any angle.

Cross Cutting



Solid Blade Design



QAU Compatible



AXE Series Typical Specifications

Carrier	Model	Tip Radius mm [in]	Weight kg [lb]
13 - 17 t	AXE150	824 [32]	955 [2,100]
16 - 24 t	AXE200	919 [36]	1,020 [2,240]
22 - 28 t	AXE250	1,066 [42]	1,410 [3,100]
25 - 38 t	AXE350	1,141 [45]	2,160 [4,760]
35 - 50 t	AXE450	1,428 [56]	2,370 [5,220]

The New AXE Stump Harvester :

The Nye AXE heavy duty stump harvester is our straight blade alternative to the premium SHX model. The AXE features welded AR500 teeth and a straight knife for efficient stump processing where equipment cost is a deciding factor.

The replaceable AR500 teeth and piercing tip are welded-in solid, so they cannot fall out and damage grinders and other downstream processing equipment. Simple maintenance by welding and hard-facing keeps the points sharp and ready for action.

Simplified blade geometry – The AXE harvester has a single, welded-in AR500 blade with the same CNC sculpted full-convex edge as used on our premium SHX compound blade harvesters. You get the same heavy duty blade technology in a less expensive, easier to maintain harvester. A single AR400 anvil provides a solid striking surface for the blade, making quick work cross cutting logs and roots.

Nye stump harvesters are easy to install, safe, silent to operate and available in Quick Coupler and Pin Grabber compatible versions.

AXE - The best there is, from the King of Heavy Duty!

nye.ca/axe



All Nye products are warranted to be free of defects in materials and workmanship for a period of 2 years or 2,000 hours. Specifications subject to change.

nye.ca/terms

Nye Manufacturing Ltd.
3585 Mavis Rd.
Mississauga, ON L5C 1T7
Canada
+1 905 897 2311
sales@nye.ca nye.ca



Nye is a proud family owned Canadian business; going strong for over 65 years

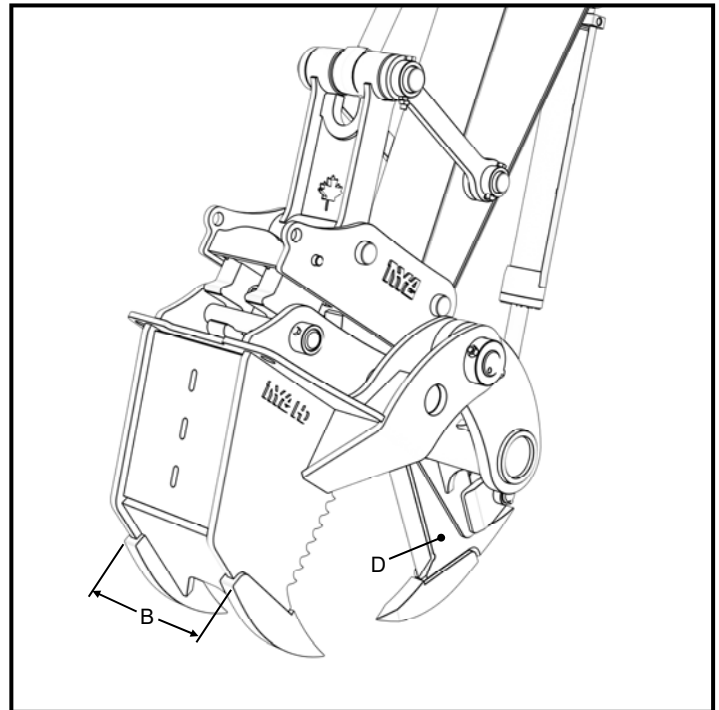
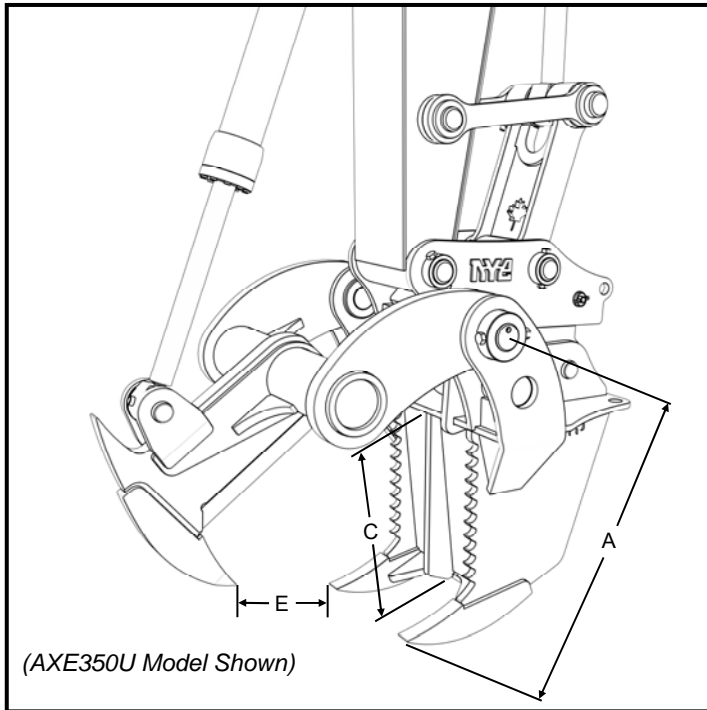
Put our expertise to work for you!

Scan for videos →



CARRIER [x1000lbs]	MODEL [‡]	TOOTH [*]	WEIGHT	TIP RADIUS (A)	WIDTH (B)	LENGTH (C)	THICKNESS (D)	OPENING (E)
13 - 17 t [29 - 37]	AXE150	2 1/2" AR500	955 [2,100]	824 [32]	420 [16.5]	410 [16]	2 1/2"	1,188 [47]
	AXE150Q		980 [2,160]	875 [34]	440 [17]	556 [22]		1,213 [48]
	AXE150U		1,000 [2,200]	875 [34]	440 [17]	556 [22]		1,213 [48]
16 - 24 t [35 - 53]	AXE200	2 1/2" AR500	1,020 [2,240]	919 [36]	452 [18]	615 [24]	2 1/2"	1,261 [50]
	AXE200Q		1,040 [2,290]	945 [37]	482 [19]	655 [26]		1,448 [57]
	AXE200U		1,065 [2,340]	1,051 [41]	520 [20.5]	675 [27]		1,677 [66]
22 - 28 t [48 - 62]	AXE250	3" AR500	1,410 [3,100]	1,066 [42]	540 [21]	788 [31]	3"	1,690 [67]
	AXE250Q		1,430 [3,150]	1,103 [43]	550 [22]	790 [31]		1,730 [68]
	AXE250U		1,455 [3,200]	1,125 [44]	565 [22]	790 [31]		1,765 [69]
26 - 38 t [57 - 84]	AXE350	3" AR500	2,160 [4,760]	1,141 [45]	574 [22.5]	793 [31]	3"	1,782 [70]
	AXE350Q		2,180 [4,800]	1,275 [50]	605 [23]	800 [31]		1,956 [77]
	AXE350U		2,205 [4,860]	1,330 [52]	621 [24]	800 [31]		2,269 [89]
35 - 50 t [77 - 110]	AXE450	3 1/2" AR500	2,370 [5,220]	1,428 [56]	655 [26]	825 [32]	3 1/2"	2,275 [90]
	AXE450Q		2,395 [5,280]	1,523 [60]	715 [28]	868 [34]		2,450 [96]
	AXE450U		2,420 [5,330]	1,650 [65]	715 [28]	893 [35]		2,793 [110]

[‡] Q = Quick Coupler, U = QAU compatible ^{*} Customer's choice Specifications subject to change Units of Measure: kg [lb] and mm [in]



Nye Manufacturing Ltd.
 3585 Mavis Rd.
 Mississauga, ON L5C 1T7
 Canada
 +1 905 897 2311
 sales@nye.ca nye.ca



Nye is a proud family owned Canadian business; going strong for over 65 years

Put our expertise to work for you!

