

**Utility Lugs** - For lifting, turning, pulling, etc.

**Main Pivot Pin** - Oversize, flame hardened alloy steel.

**Bushings** - Extra hard alloy Bushings throughout.

**Hookup** - Pin on and QC options available.

**Side Hose Connection** - Allows for easy hookup.

**Control Valve** - Multi function bucket control.



**Sidescutter** - Extra thick AR400.

**Cutting Edge** - Bolt on or Weld On Optional\*

**Side Plate** - Extra thick 44W steel.

**Wear Straps** - Abrasion Resistant AR400.

**Dual Cylinders** - 3,500 PSI double acting.

**Scraper Bar** - For fine grading.

## Hydraulics

- Control valve features:
- Load holding (bucket stays put).
  - Pressure relief (prevents cylinder damage).
  - Speed control (prevents slamming).
  - Hose management (multiple configurations left, right or one on each side).

## Grading



## Multi Function Valve



## QC Compatible



## TL7 Series Typical Specifications

Carrier	Model	Width mm [in]	Weight kg [lb]
05 - 07 t	06TL7	914 [36"]	233 [513]
07 - 11 t	09TL7	1,219 [48"]	302 [665]
09 - 14 t	12TL7	1,524 [60"]	371 [818]
16 - 24 t	20TL7	1,676 [66"]	911 [2,008]
26 - 38 t	30TL7	1,676 [66"]	1,278 [2,818]
35 - 50 t	40TL7	1,829 [72"]	2,166 [4,775]

\* - Optional Components

All Nye products are warranted to be free of defects in materials and workmanship for a period of 2 years or 2,000 hours. Specifications subject to change.

[nye.ca/tilt](http://nye.ca/tilt)



[nye.ca/terms](http://nye.ca/terms)

## Nye TL7 Tilt Bucket:

Our latest designs now feature a super strong one-piece T1 front beam and heavy-duty double acting hydraulic cylinders mounted low on the back where they belong, not the top or inside a compartment.

Most models come with bolt-on edges and feature a new on board hydraulic control valve that provides load holding/relieving, speed control, side hose hookup and hose management functions.

Nye tilt buckets have a 90° tilt range, 45° left and 45° right.

Nye tilt buckets are easy to install, safe, silent to operate and are available in quick coupler and pin grabber versions.

For more information call us at 905 897 2311 or click: [nye.ca](http://nye.ca).

**Nye Manufacturing Ltd.**  
3585 Mavis Rd.  
Mississauga, ON L5C 1T7  
Canada  
+1 905 897 2311  
[sales@nye.ca](mailto:sales@nye.ca) [nye.ca](http://nye.ca)



*Nye is a proud family owned Canadian business; going strong for over 60 years*

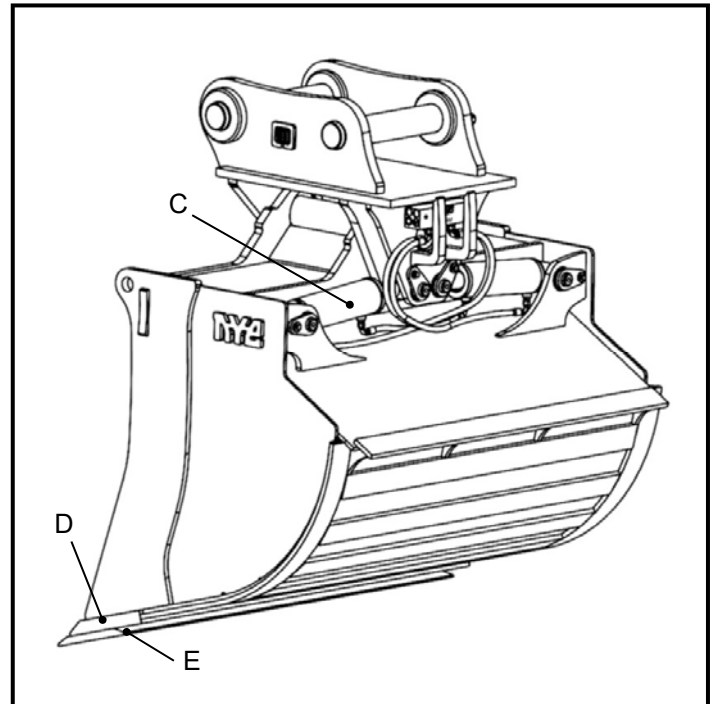
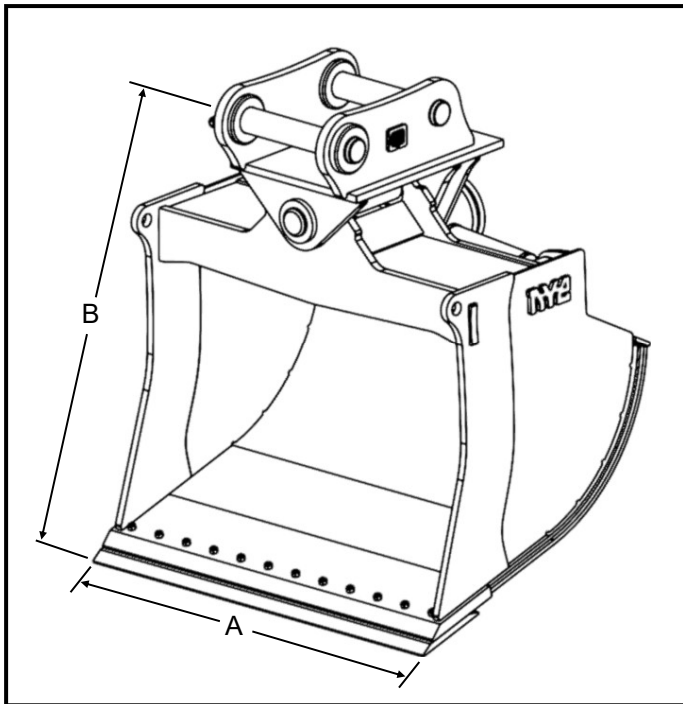
**Put our expertise to work for you!**

Scan for videos →



CARRIER [x1000lbs]	MODEL	CAPACITY (Heaped)	WEIGHT	WIDTH (A)	PIN TO POINT (B)	WORKING PRESSURE (C)	BASE EDGE (D)	BOLT-ON EDGE (E)
05 - 07 t [11 - 15]	<b>06TL7</b>	0.4 [0.5yd <sup>3</sup> ]	233 [514]	914 [36"]	641 [25"]	172 [2,500psi]	1/2" X 4"	5/8" X 6 1/2"
07 - 11 t [15 - 24]	<b>09TL7</b>	0.5 [0.6yd <sup>3</sup> ]	302 [666]	1,219 [48"]	902 [36"]	172 [2,500psi]	3/4" X 6"	1" X 10"
09 - 14 t [20 - 31]	<b>12TL7</b>	0.6 [0.8yd <sup>3</sup> ]	371 [818]	1,524 [60"]	1,175 [46"]	207 [3,000psi]	1" X 8"	1" X 10"
16 - 24 t [35 - 53]	<b>20TL7</b>	0.8 [1.1yd <sup>3</sup> ]	911 [2,008]	1,676 [66"]	1,350 [53"]	241 [3,500psi]	1 1/4" X 12"	1" X 11"
26 - 38 t [57 - 84]	<b>30TL7</b>	1.3 [1.7yd <sup>3</sup> ]	1,278 [2,818]	1,676 [66"]	1,666 [66"]	241 [3,500psi]	1 3/4" X 12"	1" X 11"
35 - 50 t [77 - 110]	<b>40TL7</b>	2.3 [3yd <sup>3</sup> ]	2,166 [4,775]	1,829 [72"]	2,026 [80"]	241 [3,500psi]	2" X 15"	1 1/8" X 13"

Specifications subject to change Custom widths and capacities available Units of Measure: kg [lb], mm [in] and m<sup>3</sup> [yd<sup>3</sup>], bar [psi]



**Nye Manufacturing Ltd.**  
3585 Mavis Rd.  
Mississauga, ON L5C 1T7  
Canada  
+1 905 897 2311  
sales@nye.ca nye.ca



*Nye is a proud family owned Canadian business; going strong for over 60 years*

**Put our expertise to work for you!**

Scan for videos →

